

Infrared double-sensor MS-3000

MS-3000 -- infrared double-sensor -- monitors patient's movement to prevent falls from bed.



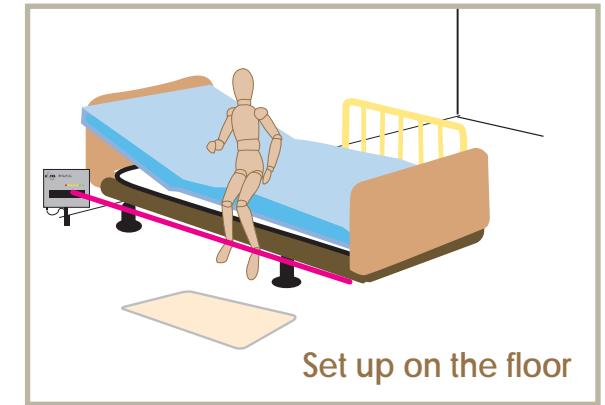
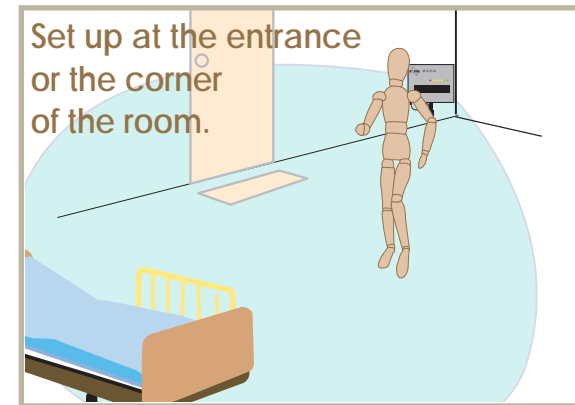
correspond to:
NC-2000
NC-100
Gurad System II

Infrared double-sensor
MS-3000

included protection cover



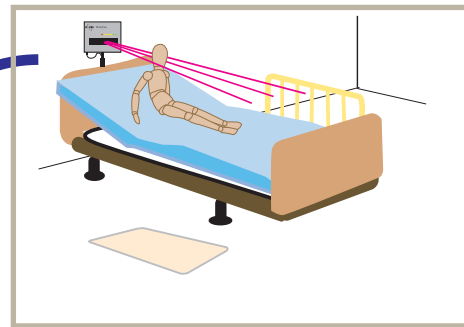
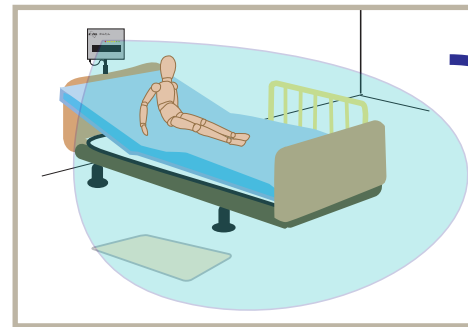
MS-3000 can be used as a bed side sensor or an area sensor by changing the movement mode



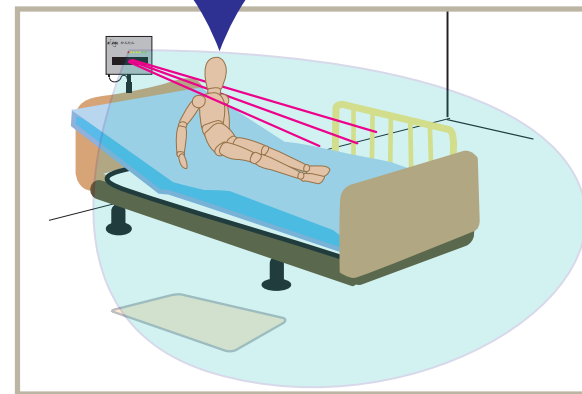
1 **Human sensor** detects any temperature change at the bed area.

2 **Distance sensor** detects any movement of patient on the bed.

AND

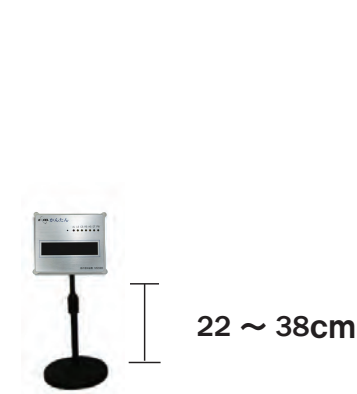


● **Human sensor** & **Distance sensor** eliminates a false alarm



- **Human sensor** detects patient's movement at the entrance or inside the room.
- Human sensor helps to prevent patient from wandering.

- **Distance sensor** alert to the staff station if patient across the sensor.
- There is no wire around the step, and prevents patient from stumbling.



Short size set (S pole, stand)



Long size set (L pole, stand)

Transmitter



Receiver



Power line nurse call system
NC-2000

Other Nurse call System

MS-3000 starts automatically when you plug in and easy to connect to the nurse call systems.